

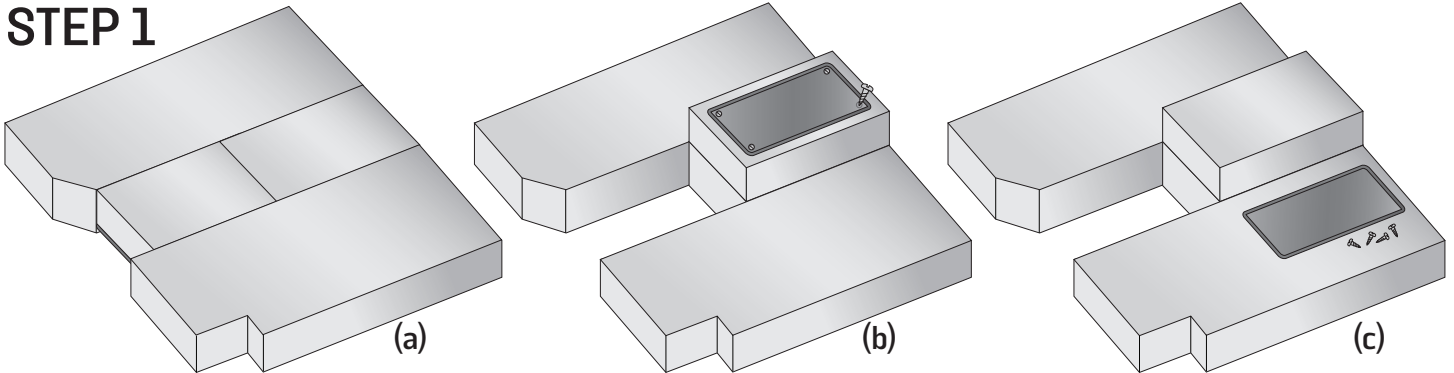
EKKO INSTALLATION GUIDE

roamrest.com | +1 800 448 6163 | @RoamRest

RoamRest is a trademark of North America Mattress Corp.

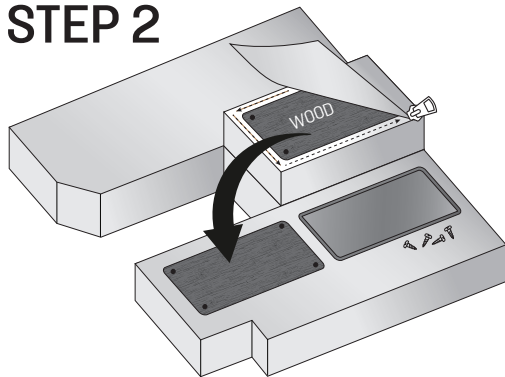


STEP 1



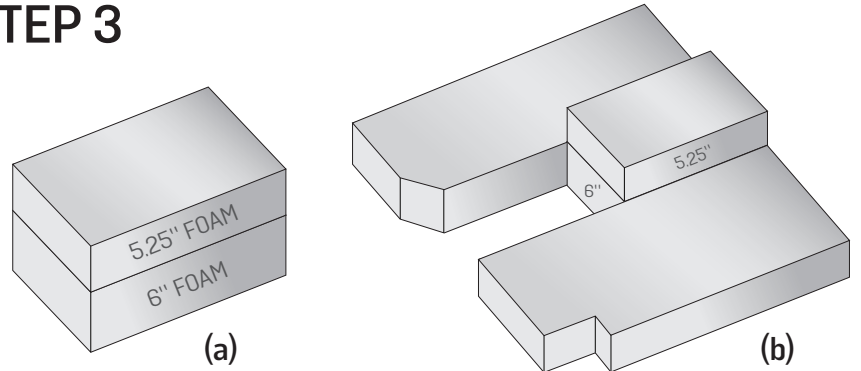
Begin with your original mattress (a). Flip front cushion onto back cushion so plastic is face up (b). Remove Screws. Place plastic and screws to the side for use later. (c)

STEP 2



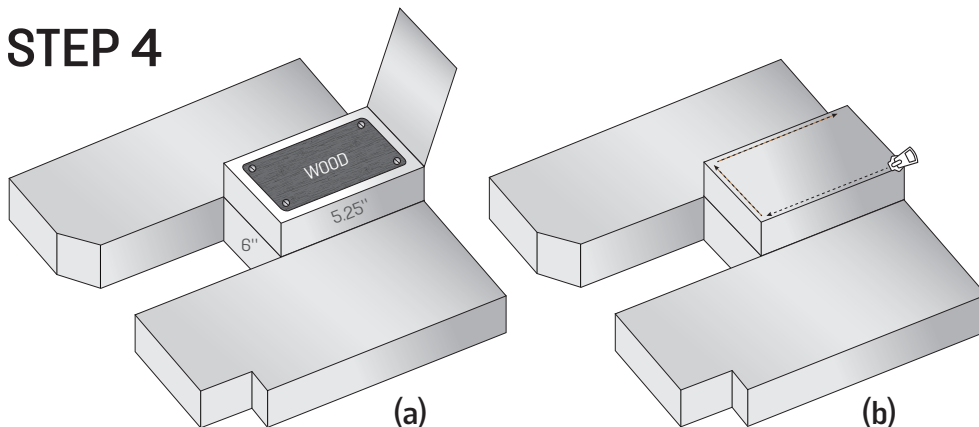
Unzip cover and remove wood insert from original cover. Set aside with plastic and screws.

STEP 3



Identify which of the RoamRest replacement cushions is the 5.25" foam and which is the 6" foam. (a) Place the cushion that is 6" thick in the back and flip the 5.25" thick cushion on top. The bottom of the 5.25" cushion is face up (should see the zipper). (b)

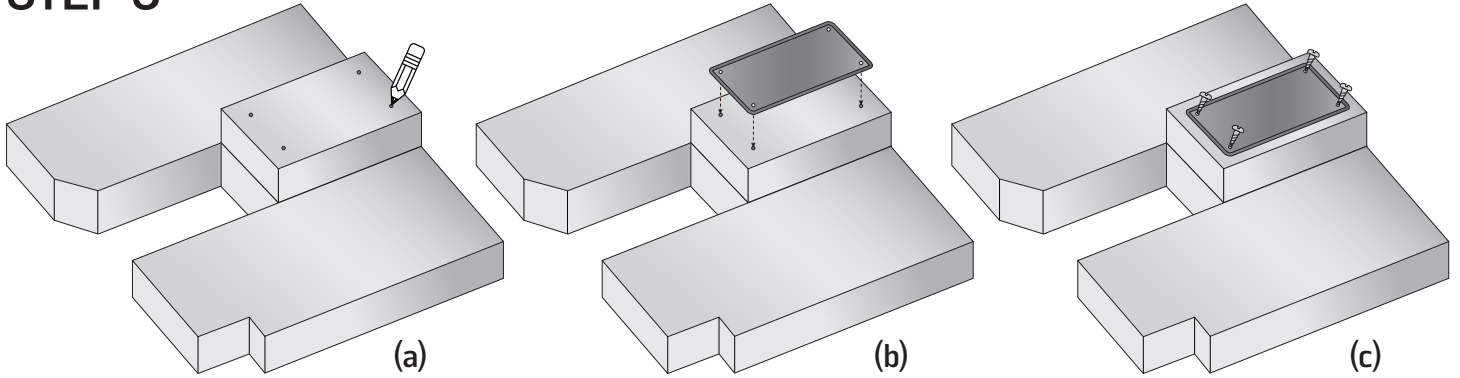
STEP 4



Unzip 5.25" thick cushion cover and place the wood insert in the center of the cushion. (Equal space on all sides) (a)

Zip cover. Hold wood in place so that it doesn't shift when zipping the cover. (b)

STEP 5

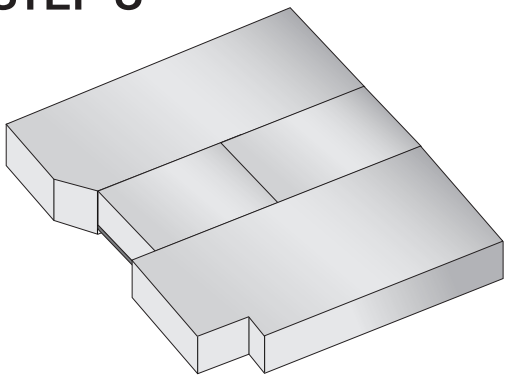


(a) Use pencil or tape to mark on the outside of the cover where the holes in the wood are so you can line up the plastic to the wood easier.

(b) Line up the plastic to the marks.

(c) Install the screws into the holes in the plastic and screw them into the wood. The screws will go through the fabric cover.

STEP 6



Flip cushion with plastic forward to ensure it fits and the cushion is being supported by the wood cabinet along the entire cushion.



Need more help?

Contact our
customer service hotline
+1 800 448 6163

Visit us on the web at
RoamRest.com



Thank you for your purchase and enjoy your new mattress.